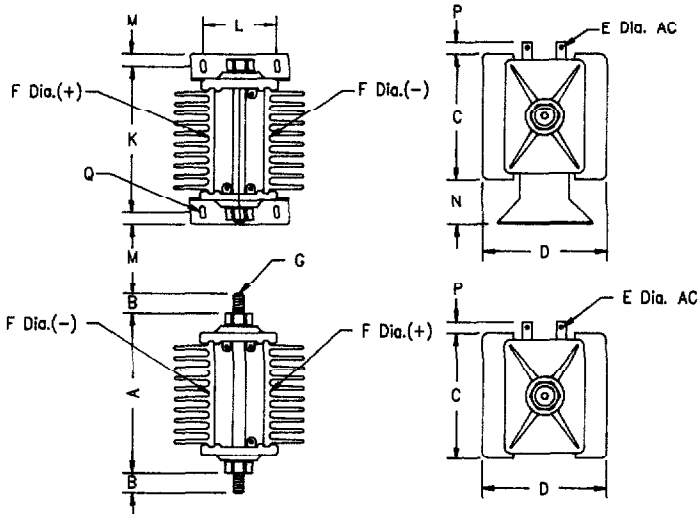


Rectipoint Silicon Power Rectifiers



Dimensions				
	X Type		Y Type	
	Inches	Millimeters	Inches	Millimeters
A	4.31	109.4	4.0	101.6
B	.625	15.87	0.5	12.7
C	4.0	101.6	2.5	63.5
D	3.12	79.2	2.56	65.0
E	.201	5.10	1.77	4.495
F	.265	6.731	.198	5.029
G	3/8-16UNC-3A		5/16-18UNC-3A	
K	3.93	15.87	3.75	95.2
L	1.5	101.6	1.25	31.7
M	.281	79.2	.281	7.137
N	.875	5.10	.937	23.79
P	.625	6.731	.625	15.87
Q	3/16x5/16	---	3/16x5/16	---

Microsemi Catalog Number	Type of Circuit	Amperes at 40°C, Maximum Ambient Temperature	
		Natural Convection	Forced Air at 800 LFM
Y20-B1-1	1 Phase Bridge	10	20
Y21-B1-1	4-1-1-B	14	28
Y20-Z1-1	3 Phase Bridge	12	36
Y21-Z1-1	6-1-1-Z	22	66
X20-B1-1	1 Phase Bridge	15	30
X21-B1-1	4-1-1-B	25	50
X34-B1-1	4-1-1-B	35	70
X37-B1-1	4-1-1-B	43	86
X20-Z1-1	3 Phase Bridge	18	54
X21-Z1-1	4-1-1-B	28	84
X34-Z1-1	6-1-1-B	35	105
X37-Z1-1	4-1-1-B	43	130

- Complete bridge with heatsinks – no assembly required
- Available in single or three phase bridge assemblies
- Available with bracket or bolt mounting
- Can be supplied with either DO-4 or DO-5 rectifiers
- Blocking voltages to 1600V

Microsemi Corp.
Colorado